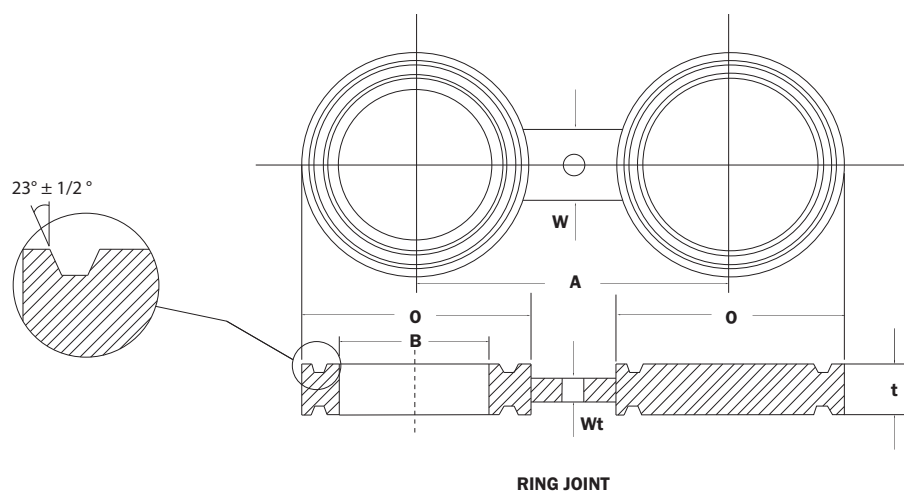


# **SPECTACLE BLIND**

# SPECTACLE BLIND API 590

## CLASS 150



NPS	Inside Diameter B	Outside Diameter O	Centerline Dimension A	Thickness t	Web Width W
<b>1</b>	34	64	79	19	51
<b>1 1/4</b>	42	73	89	19	51
<b>1 1/2</b>	48	83	99	19	57
<b>2</b>	60	102	121	19	57
<b>2 1/2</b>	73	121	140	22	57
<b>3</b>	89	133	152	22	57
<b>3 1/2</b>	102	154	178	22	64
<b>4</b>	114	171	190	22	64
<b>5</b>	141	194	216	25	70
<b>6</b>	168	219	241	25	83
<b>8</b>	219	273	298	28	95
<b>10</b>	273	330	362	32	102
<b>12</b>	324	406	432	35	121
<b>14</b>	356	425	476	35	127
<b>16</b>	406	483	540	38	127
<b>18</b>	457	546	578	41	127
<b>20</b>	508	597	635	41	127
<b>24</b>	610	711	749	48	152

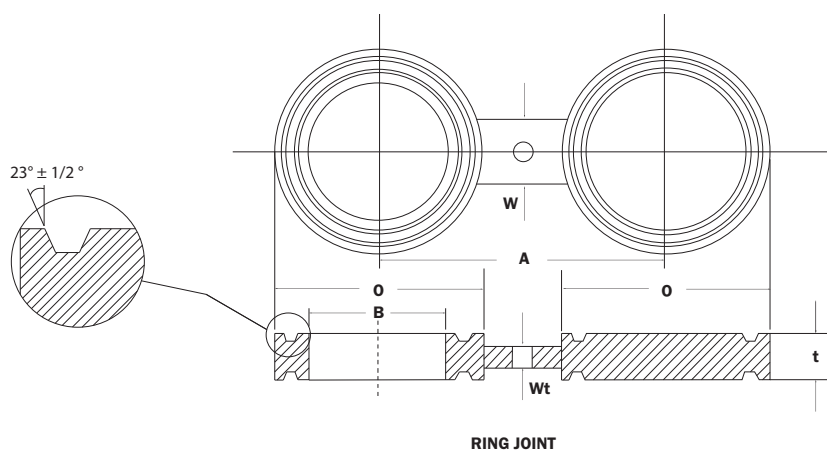
Hole sizes (where required due to bolt spacing) shall be the same as the flange bolt hole.

The thickness of the web or tie bar (Wt), shall be 6.4 mm minimum, except when t is less than 6.4 mm, wt shall equal t.

Female ring joint groove dimensions shall be designed for octagonal rings in accordance with ASME B 16.5

# SPECTACLE BLIND API 590

## CLASS 300



NP	Inside Diameter B	Outside Diameter O	Centerline Dimension A	Thickness t	Web Width W
<b>1/2</b>	21	51	67	16	38
<b>3/4</b>	27	64	83	19	44
<b>1/2</b>	34	70	89	19	51
<b>1 1/4</b>	42	79	99	22	51
<b>1 1/2</b>	48	90	114	22	57
<b>2</b>	60	108	127	25	57
<b>2 1/2</b>	73	127	149	28	57
<b>3/4</b>	89	146	168	28	57
<b>3</b>	102	159	184	28	64
<b>4</b>	114	175	200	32	64
<b>5</b>	141	210	235	35	70
<b>6</b>	168	241	270	35	83
<b>8</b>	219	302	330	41	95
<b>10</b>	273	356	387	44	102
<b>12</b>	324	413	451	51	121
<b>14</b>	356	457	514	54	127
<b>16</b>	406	508	572	57	127
<b>18</b>	457	575	629	60	127
<b>20</b>	508	635	686	70	127
<b>24</b>	610	749	813	79	152

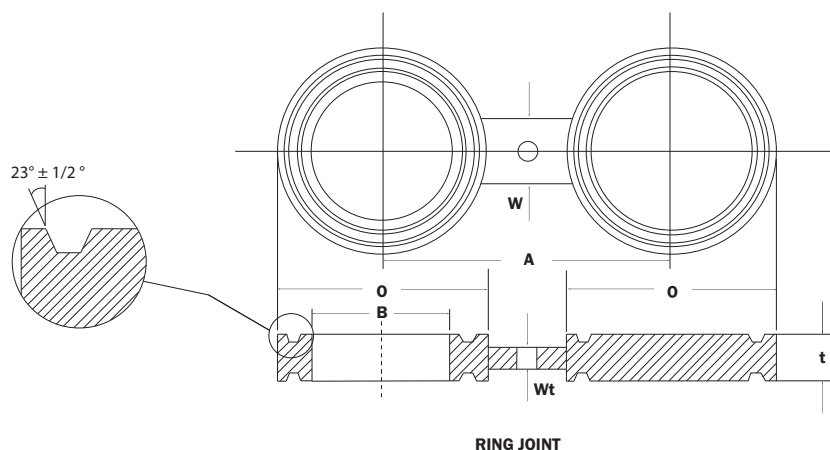
Hole sizes (where required due to bolt spacing) shall be the same as the flange bolt hole.

The thickness of the web or tie bar (Wt), shall be 6.4 mm minimum, except when t is less than 6.4 mm, wt shall equal t.

Female ring joint groove dimensions shall be designed for octagonal rings in accordance with ASME B 16.5

# SPECTACLE BLIND API 590

## CLASS 600

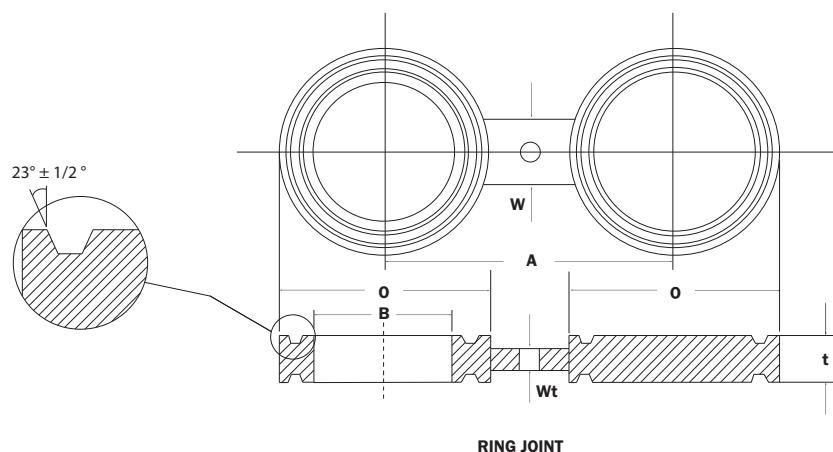


NPS	Inside Diameter B	Outside Diameter O	Centerline Dimension A	Thickness t	Web Width W
<b>1/2</b>	21	51	67	19	38
<b>3/4</b>	27	64	83	22	44
<b>1</b>	34	70	89	22	51
<b>1 1/4</b>	42	79	99	22	51
<b>1 1/2</b>	48	90	114	22	57
<b>2</b>	60	108	197	28	57
<b>2 1/2</b>	73	127	149	32	57
<b>3</b>	89	146	168	32	57
<b>3 1/2</b>	102	159	184	35	64
<b>4</b>	114	175	216	35	64
<b>5</b>	141	210	267	38	70
<b>6</b>	168	241	292	44	83
<b>8</b>	219	302	349	51	95
<b>10</b>	273	356	432	57	102
<b>12</b>	324	413	489	64	121
<b>14</b>	356	457	527	67	127
<b>16</b>	406	508	603	73	127
<b>18</b>	457	575	654	79	127
<b>20</b>	508	635	724	89	127
<b>24</b>	610	749	838	105	152

Hole sizes (where required due to bolt spacing) shall be the same as the flange bolt hole.  
 The thickness of the web or tie bar (Wt), shall be 6.4 mm minimum, except when t is less than 6.4 mm, wt shall equal t.  
 Female ring joint groove dimensions shall be designed for octagonal rings in accordance with ASME B 16.5

# SPECTACLE BLIND API 590

## CLASS 900



NPS	Inside Diameter B	Outside Diameter O	Centerline Dimension A	Thickness t	Web Width W
1/2	21	60	83	22	38
3/4	27	67	89	22	44
1	34	71	102	22	51
1 1/4	42	81	111	25	51
1	48	92	124	25	64
2	60	124	165	32	51
2 1/2	73	137	190	35	67
3	89	156	190	35	67
4	114	181	235	41	73
5	141	216	279	44	73
6	168	241	318	48	73
8	219	308	394	57	79
10	273	362	470	64	121
12	324	419	533	73	121
14	356	467	559	83	121
16	406	524	616	92	127
18	457	594	686	102	133
20	508	648	749	111	127
24	610	772	902	133	140

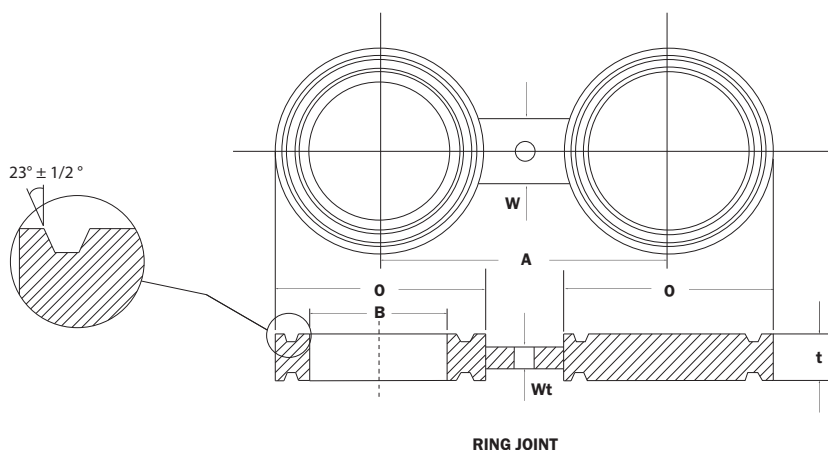
Hole sizes (where required due to bolt spacing) shall be the same as the flange bolt hole.

The thickness of the web or tie bar (Wt), shall be 6.4 mm minimum, except when t is less than 6.4 mm, wt shall equal t.

Female ring joint groove dimensions shall be designed for octagonal rings in accordance with ASME B 16.5

# SPECTACLE BLIND API 590

## CLASS 1500

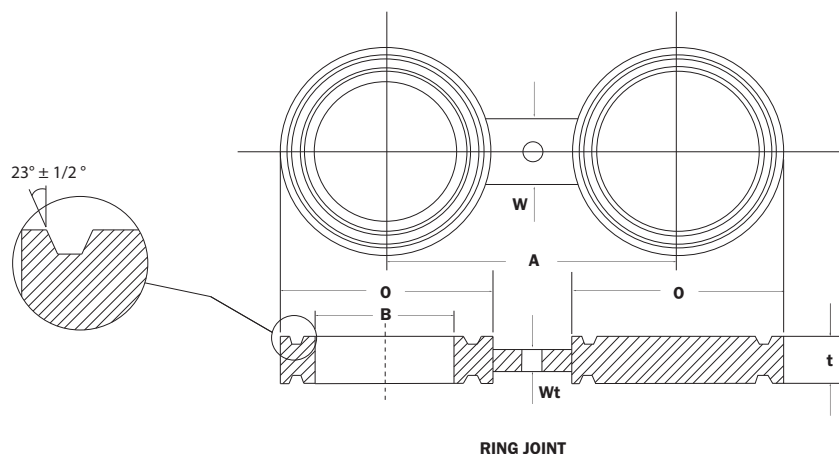


NPS	Inside Diameter B	Outside Diameter O	Centerline Dimension A	Thickness t	Web Width W
1/2	21	60	83	22	38
3/4	27	67	89	25	44
1	34	71	102	25	54
1 1/4	42	81	111	25	54
1 1/2	48	92	124	28	57
2	60	124	165	35	54
2 1/2	73	137	190	38	57
3	89	168	203	44	73
4	114	194	241	48	76
5	141	229	292	54	76
6	168	248	318	60	79
8	219	318	394	73	86
10	273	371	483	83	133
12	324	438	572	102	133
14	356	489	635	111	140
16	406	546	705	124	146
18	457	613	775	133	152
20	508	673	832	143	165
24	610	794	991	168	178

Hole sizes (where required due to bolt spacing) shall be the same as the flange bolt hole.  
 The thickness of the web or tie bar (Wt), shall be 6.4 mm minimum, except when t is less than 6.4 mm, wt shall equal t.  
 Female ring joint groove dimensions shall be designed for octagonal rings in accordance with ASME B 16.5

# SPECTACLE BLIND API 590

## CLASS 2500



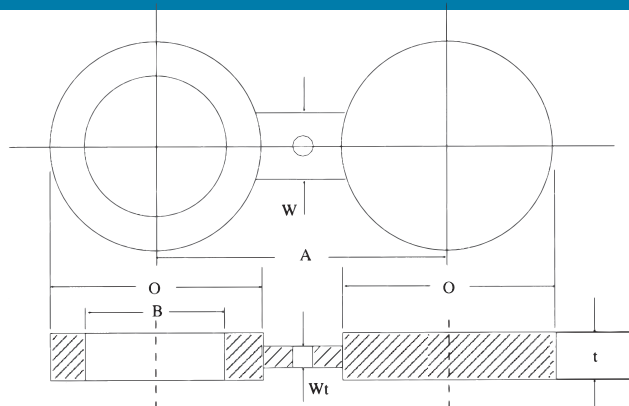
NPS	Inside Diameter B	Outside Diameter O	Centerline Dimension A	Thickness t	Web Width W
<b>1/2</b>	21	65	89	25	38
<b>1/4</b>	27	73	95	28	44
<b>1</b>	34	83	108	28	54
<b>1 1/4</b>	42	102	130	35	54
<b>1 1/2</b>	48	114	146	38	60
<b>2</b>	60	133	171	41	57
<b>2 1/2</b>	73	149	197	48	60
<b>3</b>	89	161	229	51	16
<b>4</b>	114	203	273	64	83
<b>5</b>	141	241	324	73	89
<b>6</b>	168	279	368	93	95
<b>8</b>	119	340	438	99	95
<b>10</b>	273	425	540	117	91
<b>12</b>	324	495	619	133	152

Hole sizes (where required due to bolt spacing) shall be the same as the flange bolt hole.

The thickness of the web or tie bar (Wt), shall be 6.4 mm minimum, except when t is less than 6.4 mm, wt shall equal t.

Female ring joint groove dimensions shall be designed for octagonal rings in accordance with ASME B 16.5

# SPECTACLE BLIND API 590



## CLASS 150

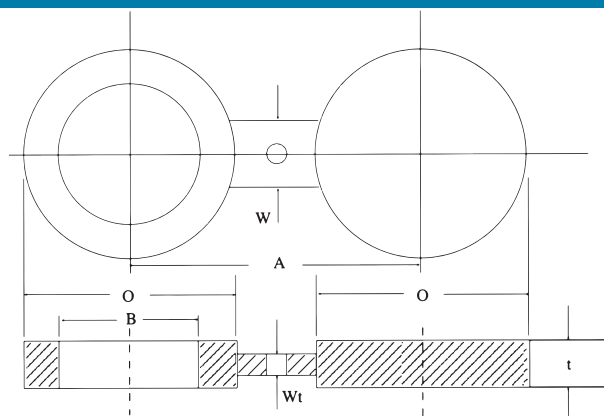
NPS	Inside Diameter B	Outside Diameter O	Centerline Dimension A	Thickness t	Web Width W
1/2	16	44	60	3	38
3/4	21	54	70	3	38
1	27	64	79	3	38
1 1/4	42	73	89	6	38
1 1/2	48	83	99	6	38
2	60	102	121	6	51
2 1/2	73	121	140	6	51
3	89	133	152	6	64
3 1/2	102	159	178	10	64
4	114	171	190	10	64
5	141	194	216	10	76
6	168	219	241	13	76
8	219	276	298	13	76
10	273	337	362	16	102
12	324	406	432	19	102
14	356	448	476	19	108
16	406	511	540	22	108
18	457	546	578	25	114
20	508	603	635	28	121
24	610	714	749	32	140

## CLASSE 300

NPS	Inside Diameter B	Outside Diameter O	Centerline Dimension A	Thickness t	Web Width W
1/2	16	51	67	6	38
3/4	21	64	83	6	38
1	27	70	89	6	38
1 1/4	42	79	99	6	38
1 1/2	48	92	114	6	51
2	60	108	127	10	51
2 1/2	73	127	149	10	64
3	89	146	168	10	64
3 1/2	102	162	184	13	64
4	114	178	200	13	64
5	141	213	235	16	76
6	168	248	270	16	76
8	219	305	330	22	89
10	273	359	387	25	102
12	324	419	451	28	102
14	356	483	514	32	121
16	406	537	572	38	124
18	457	594	629	41	114
20	508	651	686	44	121
24	610	772	813	51	140



# SPECTACLE BLIND API 590



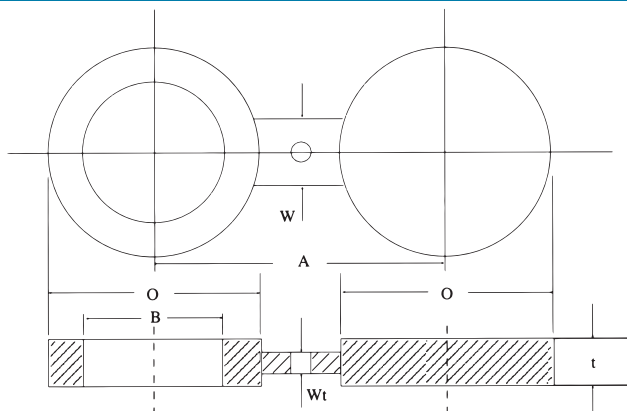
## CLASS 600

NPS	Inside Diameter B	Outside Diameter O	Centerline Dimension A	Thickness t	Web Width W
1/2	16	51	67	6	38
3/4	21	64	83	6	38
1	27	70	89	6	57
1 1/4	37	79	99	10	57
1 1/2	43	92	114	10	67
2	55	108	127	10	57
2 1/2	67	127	149	13	67
3	83	146	168	13	67
3 1/2	96	159	184	16	76
4	108	191	216	16	76
5	135	238	267	19	86
6	162	264	292	22	86
8	212	318	349	28	95
10	265	397	432	35	105
12	315	454	489	41	105
14	346	489	527	44	114
16	397	562	603	51	124
18	448	610	654	54	133
20	497	679	724	64	133
24	597	787	838	73	152

## CLASS 900

NPS	Inside Diameter B	Outside Diameter O	Centerline Dimension A	Thickness t	Web Width W
1/2	16	60	83	6	38
3/4	21	67	89	6	41
1	27	76	102	6	57
1 1/4	37	86	111	10	57
1 1/2	43	95	124	10	67
2	55	140	165	13	57
2 1/2	67	162	190	13	67
3	83	165	190	16	67
4	108	203	235	19	76
5	135	244	279	22	86
6	162	286	318	25	86
8	212	356	394	35	95
10	265	432	470	41	105
12	315	495	533	48	105
14	346	518	559	54	114
16	397	572	616	60	124
18	448	635	686	67	133
20	497	695	749	73	133
24	597	835	902	89	152

# SPECTACLE BLIND API 590



## CLASS 1500

NPS	Inside Diameter B	Outside Diameter O	Centerline Dimension A	Thickness t	Web Width W
1/2	16	60	83	6	38
3/4	21	67	89	10	41
1	27	76	102	10	64
1/4	35	86	111	10	64
1/2	41	95	124	13	70
2	53	140	165	13	70
1/2	63	162	190	16	76
3	78	171	203	19	76
4	102	206	241	22	89
5	128	251	292	28	89
6	154	279	318	35	89
8	203	349	394	41	102
10	255	432	483	51	114
12	303	518	572	60	114
14	333	575	635	67	127
16	381	638	705	76	133
18	429	702	775	86	146
20	478	752	832	95	152
24	575	899	991	111	178

## CLASSE 2500

NPS	Inside Diameter B	Outside Diameter O	Centerline Dimension A	Thickness t	Web Width W
1/2	16	67	89	10	38
3/4	21	73	95	10	41
1	27	83	108	10	64
1 1/4	35	102	130	13	64
1 1/2	41	114	146	16	70
2	53	143	171	16	70
2 1/2	63	165	197	19	76
3	78	194	229	22	76
4	102	232	273	28	89
5	128	276	324	35	89
6	154	314	368	41	89
8	198	384	438	54	102
10	248	473	540	67	114
12	289	546	619	79	114